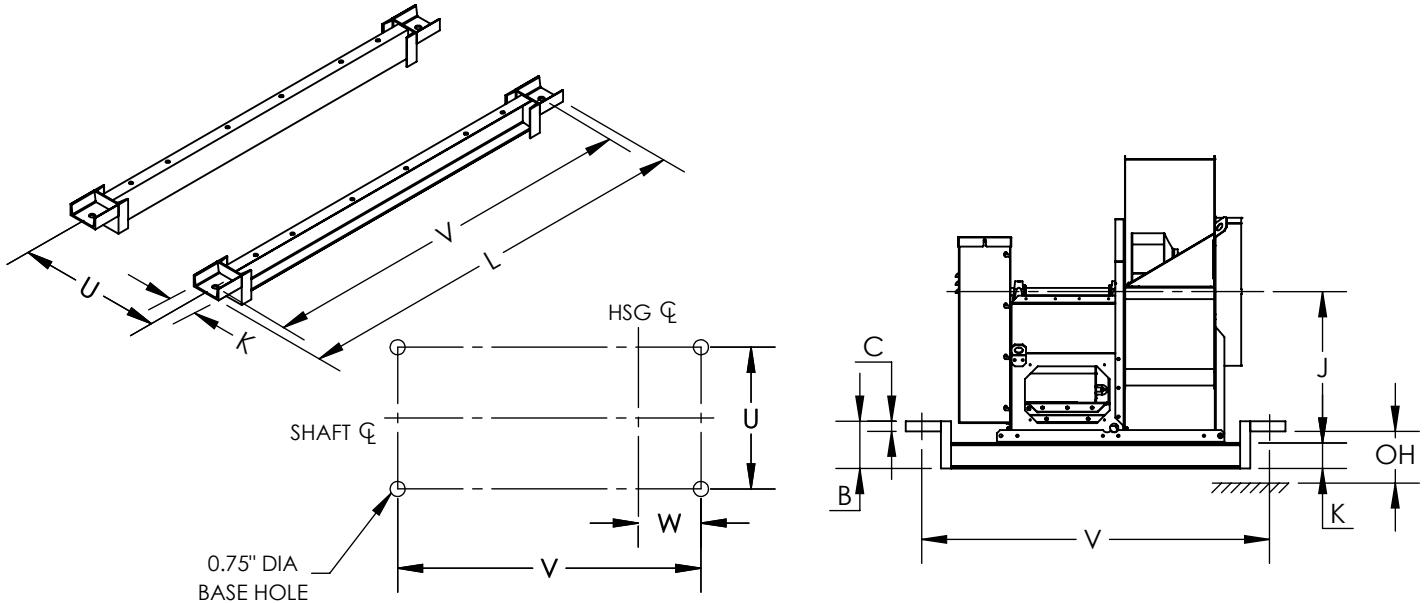




DATE: TAG:
 JOB:
 PROJECT:
 COMPANY:
 SALES PERSON:

UVS2, CLASS 1, SIZES 60-402
 HEIGHT SAVING ISOLATION RAIL



ISOLATOR MOUNTING PATTERN

NOTES:

1. RAILS DESIGNED FOR 1" & 2" SPRING ISOLATORS SELECTED BY PENNBARRY.
2. RAILS TO BE SHIPPED MOUNTED.
3. HORIZONTAL MOUNT ONLY.
4. FOR "OH" (OPERATING HEIGHT) OF ISOLATOR SEE FINAL ISOLATOR SELECTION.
5. VIEWS ABOVE ARE FOR REFERENCE ONLY.

DIMENSIONAL DATA

| ARR-10 | | | | | | | | | WEIGHT (lbs) |
|--------|-------|------|------|-------|-------|-------|-------|------|--------------|
| Size | J | B | C | U | V | W | L | K | |
| 60 | 18.00 | 4.08 | 1.58 | 14.97 | 40.35 | 11.27 | 43.35 | 4.00 | 39 |
| 70 | 18.00 | 4.08 | 1.58 | 14.97 | 40.35 | 11.27 | 43.35 | 4.00 | 39 |
| 80 | 18.00 | 4.08 | 1.58 | 14.97 | 40.35 | 11.27 | 43.35 | 4.00 | 39 |
| 105 | 18.00 | 4.08 | 1.58 | 14.97 | 40.35 | 11.27 | 43.35 | 4.00 | 39 |
| 122 | 18.00 | 4.08 | 1.58 | 16.48 | 44.04 | 11.27 | 47.04 | 4.00 | 42 |
| 135 | 18.38 | 4.08 | 1.58 | 16.48 | 45.04 | 12.11 | 48.04 | 4.00 | 42 |
| 150 | 20.00 | 4.08 | 1.58 | 16.48 | 47.22 | 13.21 | 50.22 | 4.00 | 44 |
| 165 | 21.63 | 4.08 | 1.58 | 18.97 | 48.41 | 13.80 | 51.41 | 4.00 | 45 |
| 182 | 23.63 | 4.08 | 1.58 | 19.97 | 52.85 | 14.21 | 55.85 | 4.00 | 50 |
| 200 | 25.75 | 4.08 | 1.58 | 22.47 | 54.16 | 14.86 | 57.16 | 4.00 | 50 |
| 222 | 28.25 | 4.08 | 1.58 | 24.47 | 55.91 | 15.74 | 58.91 | 4.00 | 50 |
| 245 | 30.75 | 4.08 | 1.58 | 26.49 | 63.07 | 16.55 | 66.04 | 4.00 | 56 |
| 270 | 33.75 | 4.08 | 1.58 | 29.97 | 64.91 | 17.49 | 67.91 | 4.00 | 57 |
| 300 | 36.63 | 6.00 | 3.50 | 38.25 | 72.06 | 19.19 | 75.06 | 4.00 | 99 |
| 330 | 41.00 | 6.00 | 3.50 | 41.75 | 74.31 | 20.32 | 77.31 | 4.00 | 101 |
| 365 | 45.00 | 6.00 | 3.50 | 45.25 | 79.94 | 21.63 | 82.94 | 4.00 | 108 |
| 402 | 49.25 | 6.00 | 3.50 | 48.75 | 82.82 | 23.07 | 85.82 | 6.00 | 111 |

| ARR-4 | | | | | | | | | WEIGHT (lbs) |
|-------|-------|------|------|-------|-------|-------|-------|------|--------------|
| Size | J | B | C | U | V | W | L | K | |
| 60 | 18.00 | 4.08 | 1.58 | 14.98 | 33.15 | 10.27 | 36.15 | 4.00 | 33 |
| 70 | 18.00 | 4.08 | 1.58 | 14.98 | 33.15 | 10.27 | 36.15 | 4.00 | 33 |
| 80 | 18.00 | 4.08 | 1.58 | 14.98 | 33.15 | 10.27 | 36.15 | 4.00 | 33 |
| 105 | 18.00 | 4.08 | 1.58 | 14.98 | 33.15 | 10.27 | 36.15 | 4.00 | 33 |
| 122 | 18.00 | 4.08 | 1.58 | 16.48 | 34.84 | 11.11 | 37.84 | 4.00 | 35 |
| 135 | 18.38 | 4.08 | 1.58 | 16.47 | 35.84 | 11.61 | 38.84 | 4.00 | 35 |
| 150 | 20.00 | 4.08 | 1.58 | 16.48 | 37.03 | 12.21 | 40.03 | 4.00 | 36 |
| 165 | 21.63 | 4.08 | 1.58 | 18.98 | 38.22 | 12.80 | 41.22 | 4.00 | 37 |
| 182 | 23.63 | 4.08 | 1.58 | 19.97 | 39.77 | 13.20 | 42.77 | 4.00 | 38 |
| 200 | 25.75 | 4.08 | 1.58 | 22.47 | 41.09 | 13.86 | 44.09 | 4.00 | 39 |
| 222 | 28.25 | 4.08 | 1.58 | 24.47 | 42.84 | 14.74 | 45.84 | 4.00 | 41 |
| 245 | 30.75 | 4.08 | 1.58 | 26.47 | 42.21 | 15.54 | 51.21 | 4.00 | 45 |
| 270 | 33.75 | 4.08 | 1.58 | 29.97 | 50.09 | 16.48 | 53.09 | 4.00 | 46 |
| 300 | 36.63 | 6.00 | 3.50 | 38.25 | 54.99 | 18.19 | 57.99 | 6.00 | 79 |
| 330 | 41.00 | 6.00 | 3.50 | 41.75 | 57.24 | 19.32 | 60.24 | 6.00 | 82 |

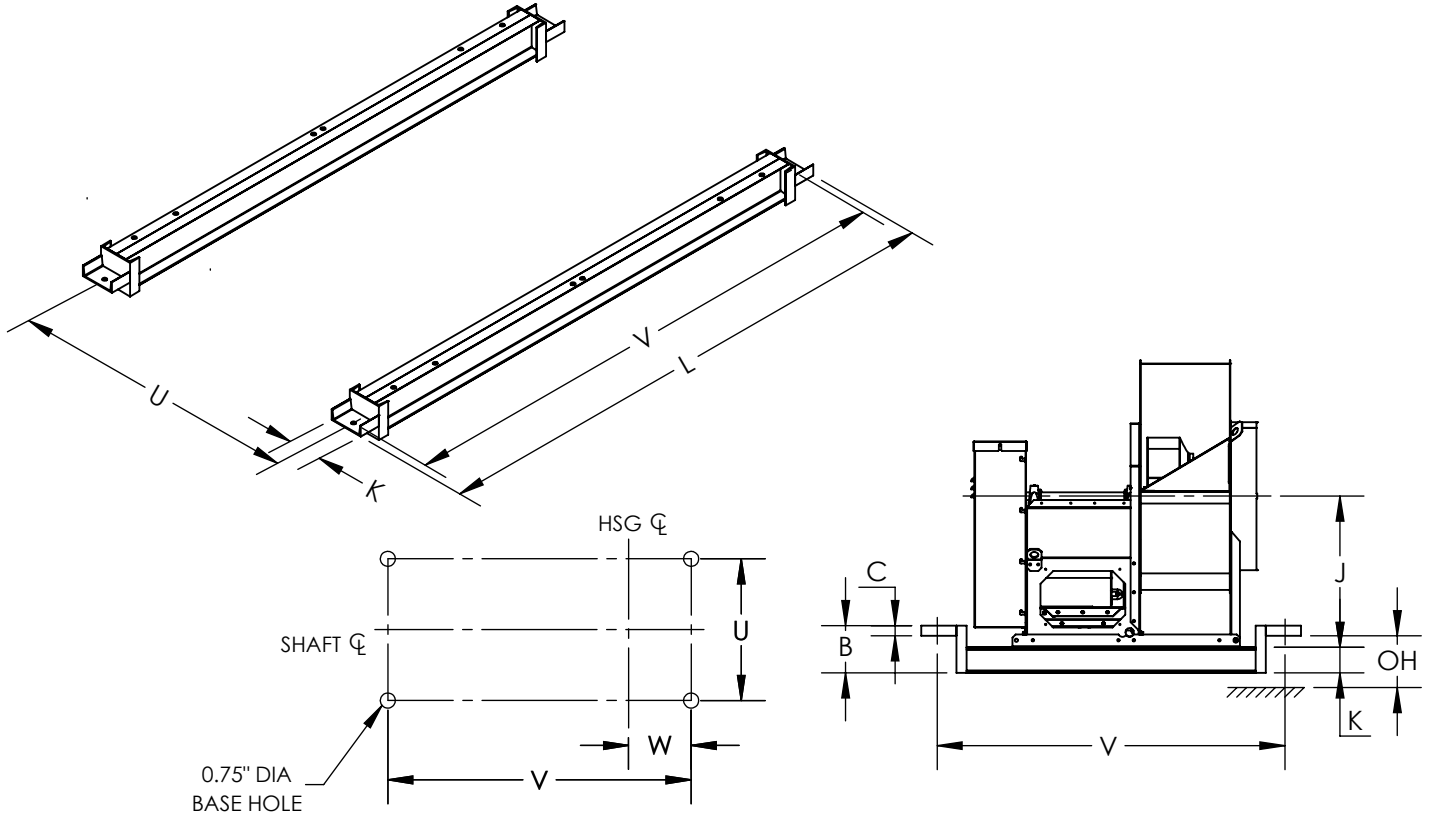
ALL DIMENSIONS ARE IN INCHES, WEIGHTS ARE APPROXIMATE .

REVISION:

FORM:

REPLACES:

UVS2, CLASS 1, SIZES 445-542
 HEIGHT SAVING ISOLATION RAIL



ISOLATOR MOUNTING PATTERN

NOTES:

1. RAILS DESIGNED FOR 1" & 2" SPRING ISOLATORS SELECTED BY PENNBARRY.
2. RAILS TO BE SHIPPED MOUNTED.
3. HORIZONTAL MOUNT ONLY.
4. FOR "OH" (OPERATING HEIGHT) OF ISOLATOR SEE FINAL ISOLATOR SELECTION.
5. VIEWS ABOVE ARE FOR REFERENCE ONLY.

DIMENSIONAL DATA

| ARR-10 | | | | | | | | | WEIGHT (lbs) |
|--------|-------|------|------|-------|-------|-------|--------|------|-----------------|
| Size | J | B | C | U | V | W | L | K | |
| 445 | 54.25 | 6.00 | 3.50 | 51.30 | 90.31 | 25.69 | 93.31 | 6.00 | 216 |
| 490 | 59.25 | 6.00 | 3.50 | 55.83 | 93.81 | 27.44 | 96.81 | 6.00 | 224 |
| 542 | 55.31 | 6.00 | 3.50 | 62.33 | 97.82 | 29.44 | 100.82 | 6.00 | 234 |

ALL DIMENSIONS ARE IN INCHES, WEIGHTS ARE APPROXIMATE .

REVISION:

FORM:

REPLACES: